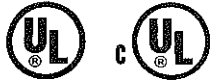
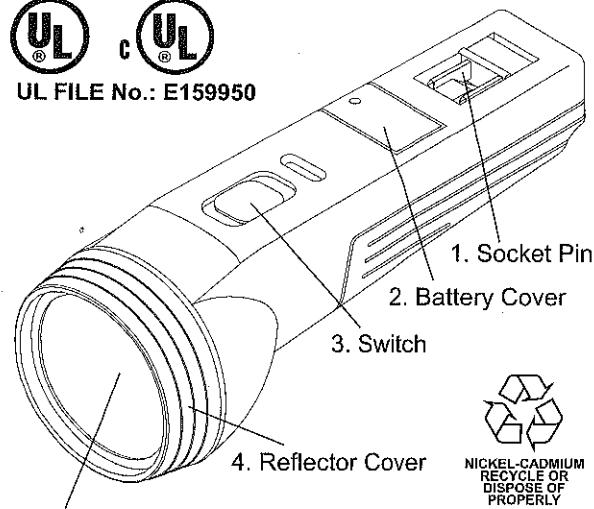


PLEASE READ THE INSTRUCTION CAREFULLY BEFORE USE



UL FILE No.: E159950



5. Super Bright LED

1 TO RECHARGE

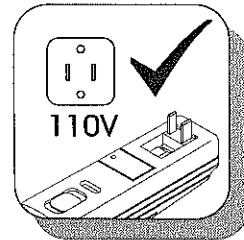


FIG. 1

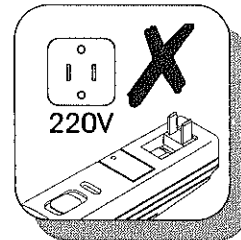


FIG. 2

IMPORTANT

- Make sure your flashlight is suitable for the home electric supply before recharging. (See Fig.1 and Fig.2)
- Charge your flashlight before using the first time.
- Always make sure the switch is "OFF" when not in use.
- If starting is slow or light is dim during operation, the battery is weak and should be recharged. Do not use the light in this condition. (It may damage the battery and cannot be recharged).

HOW TO RECHARGE

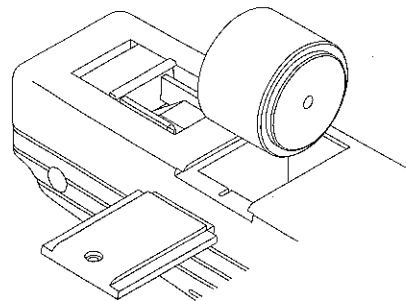
- Your flashlight can be charged with the switch placed in position "OFF" or "FLASH".
- Switch to "FLASH" during charging can give emergency light when input power fails.
- Pull up socket pin by finger as illustrated.
- Ensuring that the charging pins fit correctly into the main power source. Charging is indicated by the RED L.E.D. light.
- Standard recharging time for full energy is about 10 hours.

WARNING: DO NOT RECHARGE WHEN BATTERY COVER IS OPENED. ALWAYS KEEP SOCKET COVER CLOSED WHEN NOT RECHARGING.

2 TO CHANGE BATTERIES

THIS RECHARGEABLE FLASHLIGHT IS POWERED BY SEALED NICKEL-CADMIUM BATTERY, 1 PC 2.4V 280mAh "BUTTON CELL"

- Other types of batteries may burst causing injury and damage.
- Make sure the light is dim and in the "OFF" position before replacing battery. there may be risk of electric shock.
- Open the battery compartment by unscrewing screw counterclockwise
- Replace with new battery. (Use only same specification indicated).
- Close the battery compartment by screwing screw clockwise.



WARNING: DO NOT RECHARGE WHEN BATTERY COVER IS OPENED.

3 OPERATION

- Switch "ON" for operation and switch "OFF" when not in use.
- Switch to "FLASH" for the intermittent illumination for those special emergency tasks.
- Switch to "FLASH" during charging can give emergency light when input power fails.
- Operates up to 1 hour for continuous use on full charge.

